

### PRODUCT DETAILS

BIANCO NXT BLC series are horizontal, single stage, stainless steel centrifugal pumps, suitable for domestic and industrial applications.

Their premium quality stainless steel construction and nitrile elastomers allows for the pumping of clean or moderately aggressive fluids for temperatures up to 85 deg C

### APPLICATIONS

- Pumping clean or moderately aggressive fluids
- Water supply
- Water transfer
- Water circulation
- Tank Emptying
- Pressure boosting
- Washing cars
- Gardening
- Irrigation
- Fountains
- Dairy services
- Vat wash

### FEATURES

- Compact, simple design
- Close coupled 240V single phase TEFC motor with in-built auto reset thermal overload
- Quiet and reliable
- Floating nose sealing ring for higher efficiency
- Corrosion resistant 304 stainless steel pump body, impeller, diffuser, seal support and pump shaft. Nitrile o-rings

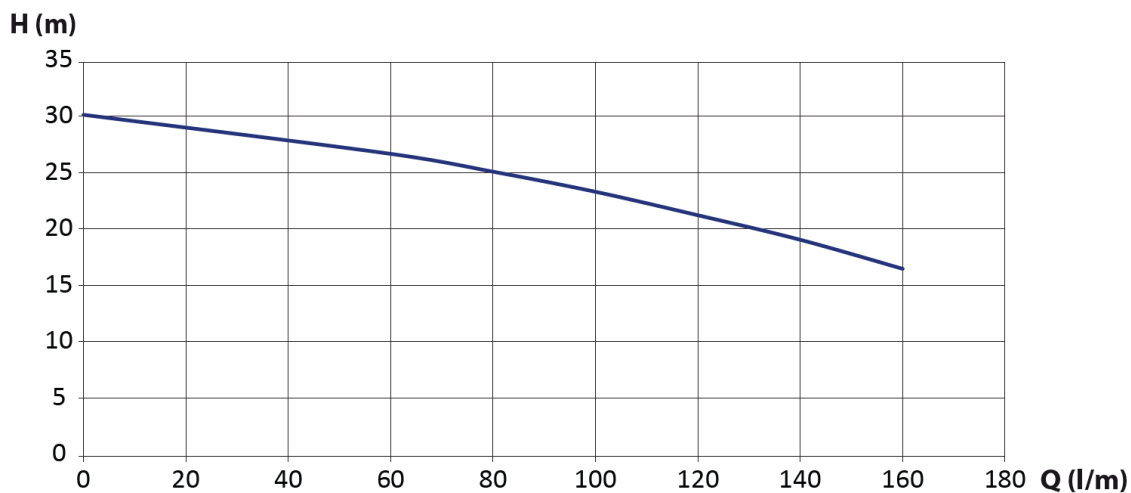


### TECHNICAL DATA

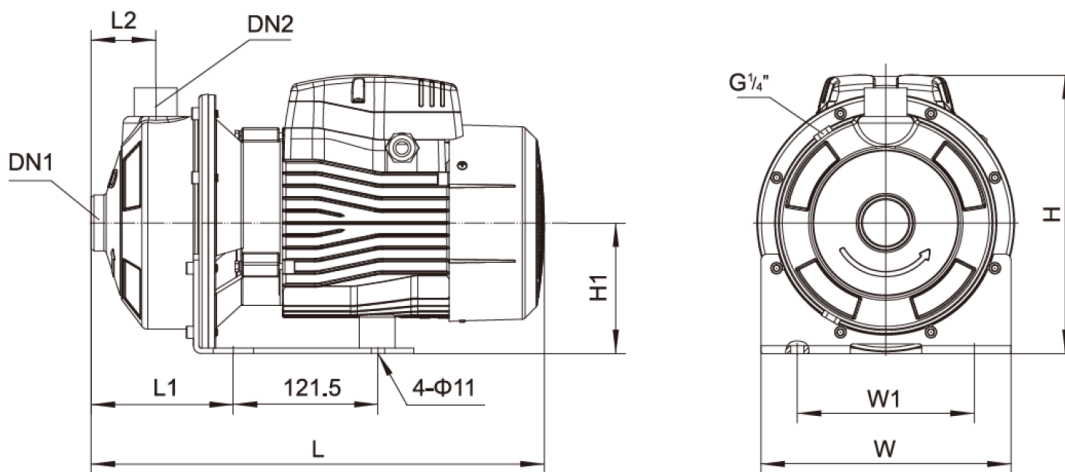
<b>RATED POWER (W)</b>	1.1kW
<b>MAX. FLOW [LPM]</b>	160 l/min
<b>MAX. HEAD [M]</b>	30.2m
<b>MAX OPERATING PRESSURE</b>	8 bar
<b>MOTOR INSULATION</b>	F Class
<b>MOTOR PROTECTION</b>	In-built thermal overload
<b>MAX AMBIANT TEMP</b>	40 deg C
<b>MAX LIQUID TEMPERATURE</b>	3 - 85 deg C

<b>RATED VOLTAGE</b>	415v (-6%, +10%) 1 PH 50 Hz
<b>RATED CURRENT</b>	2.4 amps
<b>PROTECTION CLASS</b>	IP44
<b>MECHANICAL SEAL</b>	Graphite/Ceramic/Nitrile
<b>INLET</b>	1 1/4" BSPF
<b>OUTLET</b>	1" BSPF
<b>CARTON DIMENSIONS</b>	410 x 240 x 270mm
<b>GROSS WEIGHT (KG)</b>	15.5 kg

## CURVE



## DIMENSIONS



Model	DN1 (BSPF)	DN2 (BSPF)	L (mm)	W (mm)	H (mm)	L1 (mm)	L2 (mm)	W1 (mm)	H1 (mm)
BIA-BLC120-110S2T	1-1/4"	1"	381	210	234	119	55	149	110

## WARRANTY / CERTIFICATIONS

